

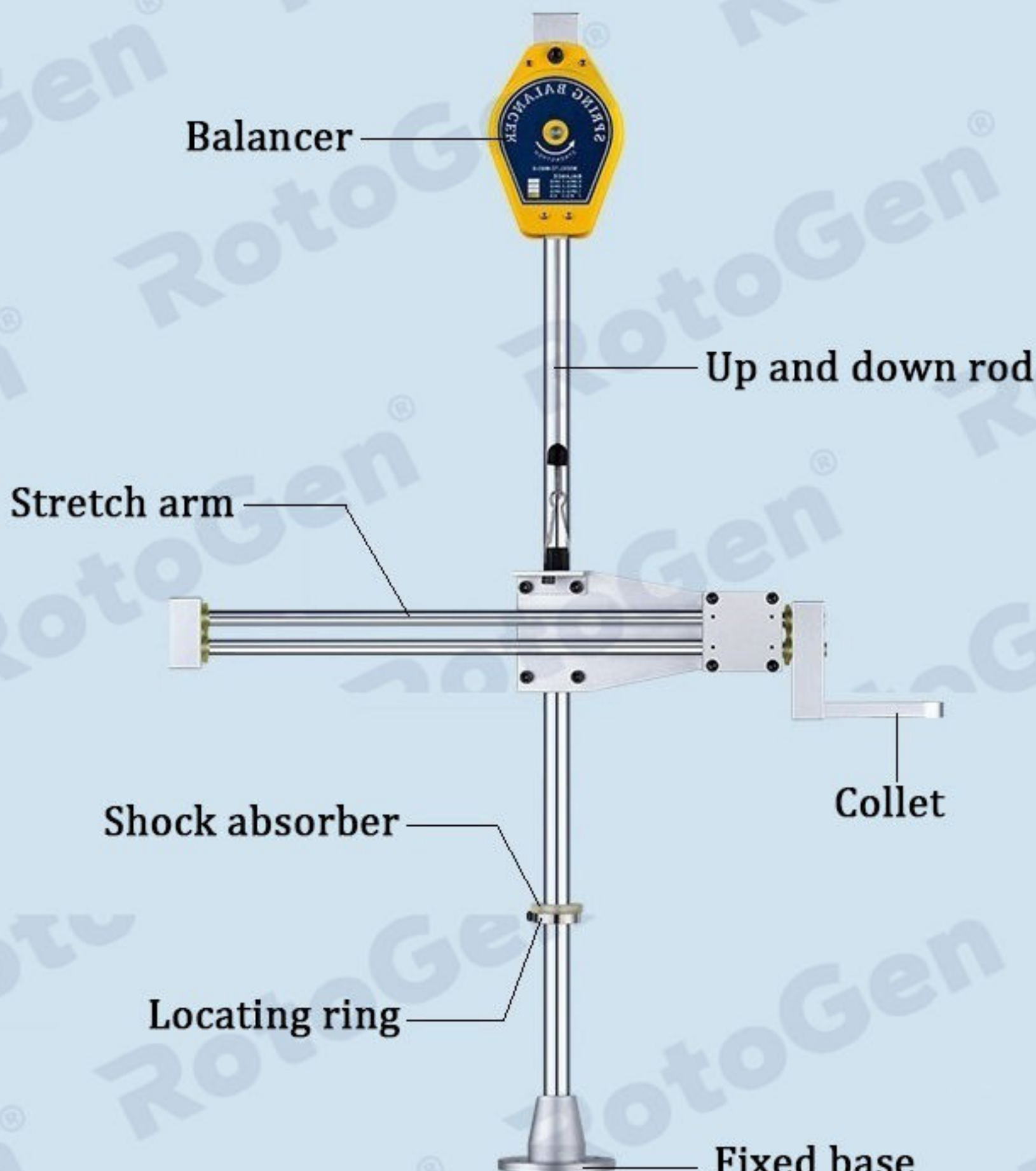
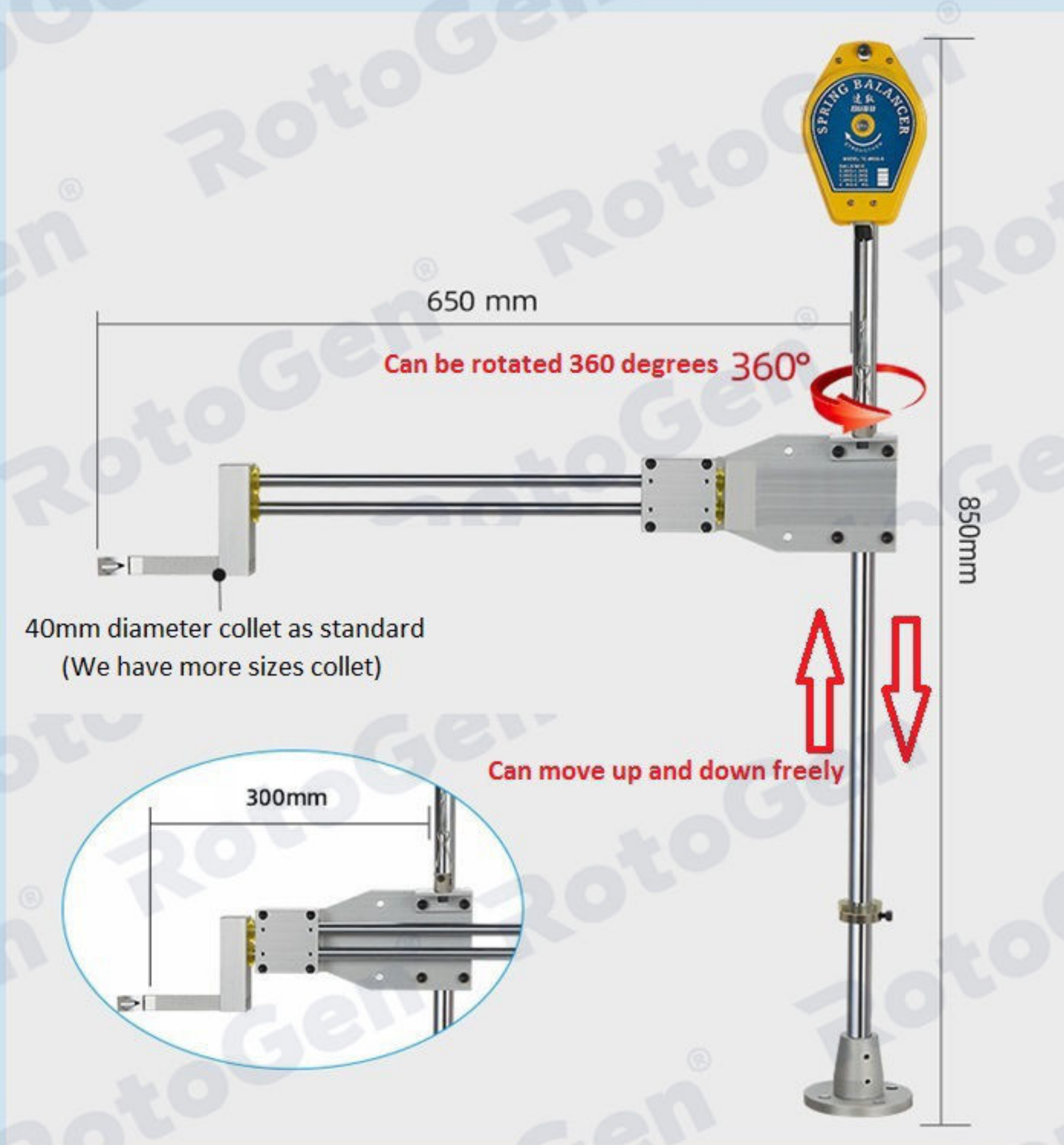
Vertical Positioning Torque Reaction Arm



Easy to use
Labor-saving

PRODUCT PARAMETERS

Name	Torque reaction arm
Brand	RotoGen
Model	RG-ZJ03
Material	Alloy
Working radius	300-650mm



DETAILS



The maximum load-bearing capacity is 5KG, and the tension can be adjusted.



It can be rotated 360 degrees, flexible and convenient to operate.



The height can be adjusted to limit the electric screwdriver.



Different sizes of collet can be selected according to different needs.



40mm



45mm



30mm



40mm



50mm

Front



Back



Product Features

1

The electric batch bracket uses the energy accumulated by the spring to make the suspended operating tool in a weightless state, making screwing work easier.

2

The operation is simple and fast, eliminating the fatigue of the operator holding the screwdriver, and greatly improving the work efficiency.

3

Vertical operation is allowed up and down, so that the electric screwdriver and the nut are always kept vertical at 90° and locked in the same straight line.

4

For electric and pneumatic screwdrivers with large torque, it can be firmly fixed to avoid accidents caused by the operator's insufficient hand-holding force.

5

It can withstand high loads, has a solid structure, and maintains high-precision operation under continuous operation.



U-clip



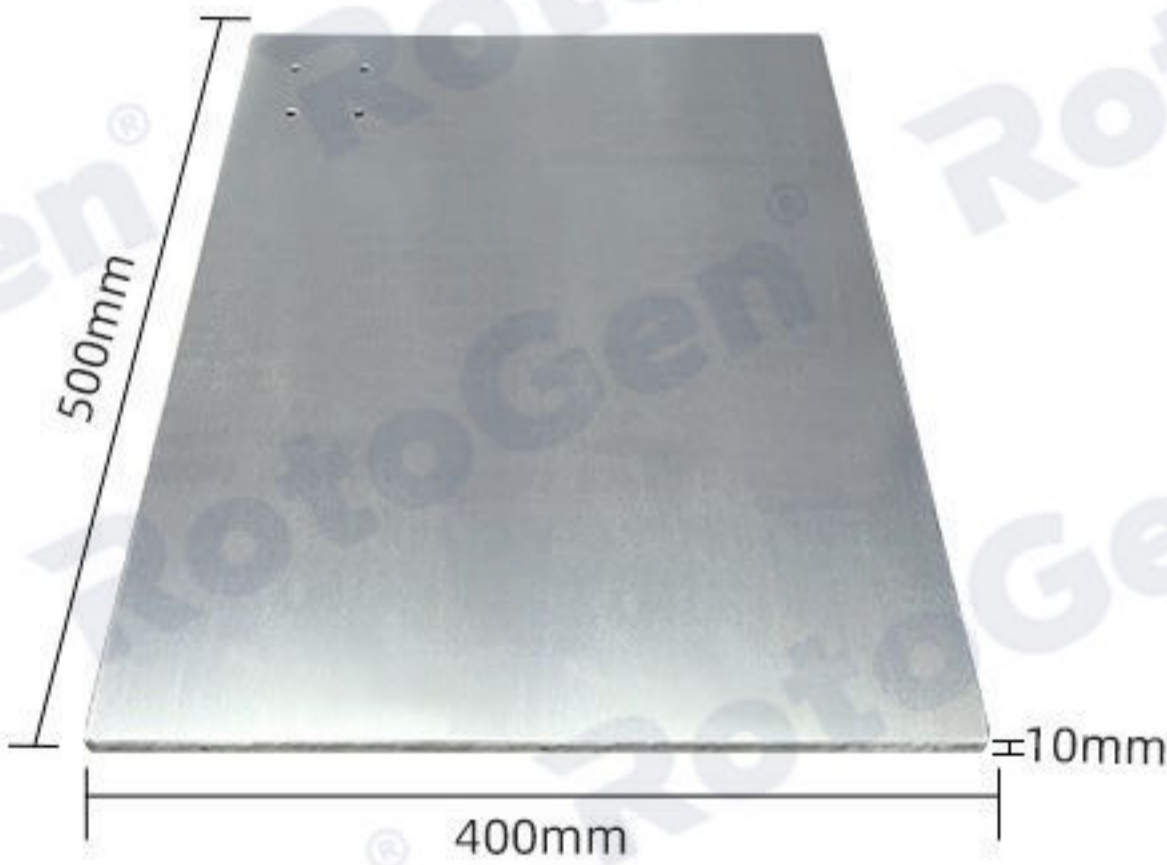
Use effect display

How to use the U-clip:

There is no need to drill holes on the worktable, just clamp him on the workbench within 75mm in thickness, and the torque reaction arm can be used.

If you need it, please contact us to buy it.

Floor Bracket



The torque reaction arm can be moved freely for operation.

If you need it, please contact us to buy it.